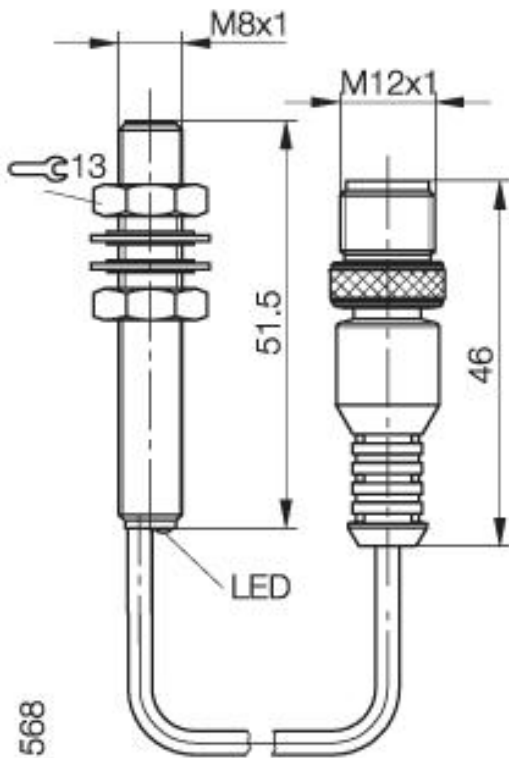


Inductive Sensors
BES M08MI-NSC40B-BP00,2-GS04
M 8x1 x 51.5
normally-open
Sn=4mm
quasi shielded



PX1568

Common Data

Mounting in steel	quasi shielded
Rated operating distance Sn	4mm
Assured operating distance Sa	0...2,9mm
Repeatability R	≤ 5%
Hysteresis	≤15%
Function indication	yes
Ambient temperature range	0...+60°C
Polution Degree	3
Time delay before availability	≤ 10ms

Mechanical Data

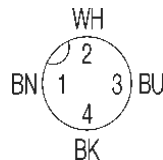
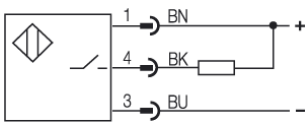
Measurements BxHxT or DxT	M 8x1 x 51.5mm
Housing material	Nickel plated brass
Material of sensing face	PBT
Degree of protection	IP67IP
Connection	Cable with Connector
Cable type	LIFY-11Y-O
Schock: Halbsinus, 30 gn, 11ms	
Vibration: 55 Hz, 1mm Amplitude, 3 x 30 Minutes	

Electrical Data

Current type	DC
Wiring	3-Wire
switching function	normally-open
Output signal	NPN
Rated operational voltage	24 DCV
Rated operational current	200mA
Supply voltage	10...30 DCV
Ripple	≤15%
max. switching frequency	800Hz
Minimum operational current	0mA
No-load supply current	≤ 10/≤ 8mA
Off-state current	≤ 10µA
Voltage drop	≤ 2.8V
Short circuit protection	yes
Protected against polarity reversal	yes

Remarks

Mounting Instructions 825356



Utilization categories
 Insulation class

DC 13

Datasheet number:

Definitions see general catalog.
 If not otherwise noted, ratings according to
 IEC 60947-5-2 (DIN EN60947-5-2)

Balluff GmbH
 Schurwaldstrasse 9
 73765 Neuhausen a.d.F.
 Phone (07158) 173-0 Fax (07158) 5010

Datenblatt by CD-ROM - 04/2007

BALLUFF
 sensors worldwide